

По вопросам продаж и поддержки обращайтесь:

Архангельск (8182)63-90-72  
Астана +7(7172)727-132  
Белгород (4722)40-23-64  
Брянск (4832)59-03-52  
Владивосток (423)249-28-31  
Волгоград (844)278-03-48  
Вологда (8172)26-41-59  
Воронеж (473)204-51-73  
Екатеринбург (343)384-55-89  
Иваново (4932)77-34-06  
Ижевск (3412)26-03-58  
Казань (843)206-01-48

Калининград (4012)72-03-81  
Калуга (4842)92-23-67  
Кемерово (3842)65-04-62  
Киров (8332)68-02-04  
Краснодар (861)203-40-90  
Красноярск (391)204-63-61  
Курск (4712)77-13-04  
Липецк (4742)52-20-81  
Магнитогорск (3519)55-03-13  
Москва (495)268-04-70  
Мурманск (8152)59-64-93  
Набережные Челны (8552)20-53-41

Нижний Новгород (831)429-08-12  
Новокузнецк (3843)20-46-81  
Новосибирск (383)227-86-73  
Орел (4862)44-53-42  
Оренбург (3532)37-68-04  
Пенза (8412)22-31-16  
Пермь (342)205-81-47  
Ростов-на-Дону (863)308-18-15  
Рязань (4912)46-61-64  
Самара (846)206-03-16  
Санкт-Петербург (812)309-46-40  
Саратов (845)249-38-78

Смоленск (4812)29-41-54  
Сочи (862)225-72-31  
Ставрополь (8652)20-65-13  
Тверь (4822)63-31-35  
Томск (3822)98-41-53  
Тула (4872)74-02-29  
Тюмень (3452)66-21-18  
Ульяновск (8422)24-23-59  
Уфа (347)229-48-12  
Челябинск (351)202-03-61  
Череповец (8202)49-02-64  
Ярославль (4852)69-52-93

сайт: <https://itron.nt-rt.ru/> || эл. почта [ino@nt-rt.ru](mailto:ino@nt-rt.ru)

# CENTRON® Polyphase CP3S

With this solid-state meter, Itron presents a platform for commercial and industrial (C&I) metering that has the flexibility to adapt as your communication needs expand and change. The CENTRON Polyphase CP3S solid-state meter with current transformer technology measures extended polyphase energy consumption. It is available as an energy meter with an LCD register. As an option, the meter is available with interchangeable personality modules, including demand, time-of-use (TOU) and load profile.



## FLEXIBLE PLATFORM

- » The CENTRON Polyphase meter can easily be upgraded to any of the option modules available.
- » All calibration data is permanently stored in the base of the meter on the CENTRON Polyphase metrology board.

## PERSONALITY MODULES

- » The interchangeable personality modules are part of a snap-in register assembly.
- » The personality modules house all register or communication functions.

## ENHANCED PERFORMANCE

- » 0.2 accuracy class
- » Flexible platform
- » Auto-ranging power supply

## STANDARD FEATURES

- » Electronic LCD register
- » Polycarbonate cover
- » Test LED
- » Voltage indicators
- » Service detection
- » Expansion port

## OPTION MODULE UPGRADES

- » Demand module (CP3SD)
- » TOU with demand module (CP3ST)
- » Load profile with TOU and demand module (CP3SL)
- » R400 900 MHz RF module (CP3SR)
- » R400CD/CD3 module

## OPTION AVAILABILITY

- » R400CD/CD3
- » Identification/Accounting aids

## TECHNICAL DATA

Meets applicable standards:

- » ANSI C12.1 - 2014
- » ANSI C12.10 - 2011
- » ANSI C12.18 -1996
- » ANSI C12.19 - 1997
- » ANSI C12.20 (Class 0.2) -2015
- » FCC Part 15, Class B
- » FCC Part 15, Subpart C

## REFERENCE INFORMATION

- » CENTRON Polyphase Technical Reference Guide
- » CENTRON Polyphase CP3SD, T, L Specification Sheet
- » CENTRON R400CD/CD3 Specification Sheet
- » Electricity Price Bulletin
- » Hardware Specification Form
- » ZRO-C2A/B Handheld Meter Resetter Instructions
- » Meter Pocket Guide

## SPECIFICATIONS

### Product Availability

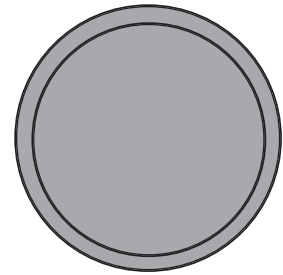
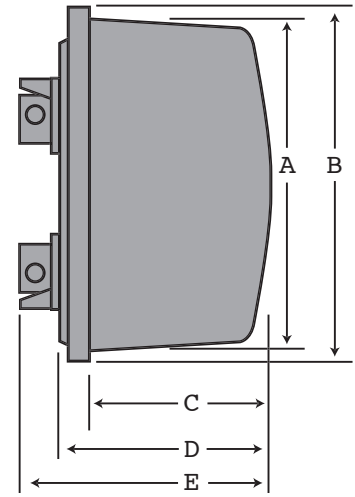
Metrology	Class	Elements	Wires	Voltage Amps
1S	100	1	2	120-480
2S	200	1.5	3	120-480
2S	320	1.5	3	120-480
3S	20	1	2	120-480
4S	20	2	3	120-480
9S (8S)	20	3	4	120-480
9S (8S)/36S	20	3	4	120-480
45S/5S	20	2	3	120-480
12S	200	2	3	120-480
12S	320	2	3	120-480
16S (14S, 15S, 17S)	200	3	4	120-480
16S (14S, 15S, 17S)	320	3	4	120-480

## Dimensions

Polycarbonate					
A	B	C	D	E	F
6.31"	6.95"	5.04"	5.85"	6.86"	7.30
16 cm	17.7 cm	12.8 cm	14.9 cm	17.4 cm	18.5 cm

## Shipping Weights

Polycarbonate		
4 meter cartons	Approx. 12 lbs.	5.44 kg
96 meter pallets	Approx. 323 lbs.	146.51 kg



## Specifications

<b>Power Requirements</b>	Voltage rating: 120V-480V Frequency: 60 Hz, 50Hz	Operating voltage: $\pm 20\%$ (60 Hz); $\pm 10\%$ (50 Hz) Operating range: $\pm 3$ Hz
<b>Operating Environment</b>	Temperature: $-40^{\circ}$ to $+85^{\circ}$ C Humidity: 0% to 95% non-condensing	
<b>Transient/ Surge Suppression</b>	IEC 61000-4-4 ANSI C62.45-1992	
<b>Accuracy</b>	ANSI C12.20 0.2 Accuracy Class	
<b>General LCD Display</b>	Five-Digit liquid crystal display Data digit height: 0.4"	Annunciator height: 0.088" Electronic load indicator
<b>Characteristic Data</b>	Starting current: 5 mA (Class 20) Starting current: 20 mA (Class 200/320)	
<b>Temperature Rise Specifications</b>	Meets ANSI C12.1 section 4.7.2.	

По вопросам продаж и поддержки обращайтесь:

Архангельск (8182)63-90-72  
Астана +7(7172)727-132  
Белгород (4722)40-23-64  
Брянск (4832)59-03-52  
Владивосток (423)249-28-31  
Волгоград (844)278-03-48  
Вологда (8172)26-41-59  
Воронеж (473)204-51-73  
Екатеринбург (343)384-55-89  
Иваново (4932)77-34-06  
Ижевск (3412)26-03-58  
Казань (843)206-01-48

Калининград (4012)72-03-81  
Калуга (4842)92-23-67  
Кемерово (3842)65-04-62  
Киров (8332)68-02-04  
Краснодар (861)203-40-90  
Красноярск (391)204-63-61  
Курск (4712)77-13-04  
Липецк (4742)52-20-81  
Магнитогорск (3519)55-03-13  
Москва (495)268-04-70  
Мурманск (8152)59-64-93  
Набережные Челны (8552)20-53-41

Нижний Новгород (831)429-08-12  
Новокузнецк (3843)20-46-81  
Новосибирск (383)227-86-73  
Орел (4862)44-53-42  
Оренбург (3532)37-68-04  
Пенза (8412)22-31-16  
Пермь (342)205-81-47  
Ростов-на-Дону (863)308-18-15  
Рязань (4912)46-61-64  
Самара (846)206-03-16  
Санкт-Петербург (812)309-46-40  
Саратов (845)249-38-78

Смоленск (4812)29-41-54  
Сочи (862)225-72-31  
Ставрополь (8652)20-65-13  
Тверь (4822)63-31-35  
Томск (3822)98-41-53  
Тула (4872)74-02-29  
Тюмень (3452)66-21-18  
Ульяновск (8422)24-23-59  
Уфа (347)229-48-12  
Челябинск (351)202-03-61  
Череповец (8202)49-02-64  
Ярославль (4852)69-52-93

сайт: <https://itron.nt-rt.ru/> || эл. почта [ino@nt-rt.ru](mailto:ino@nt-rt.ru)